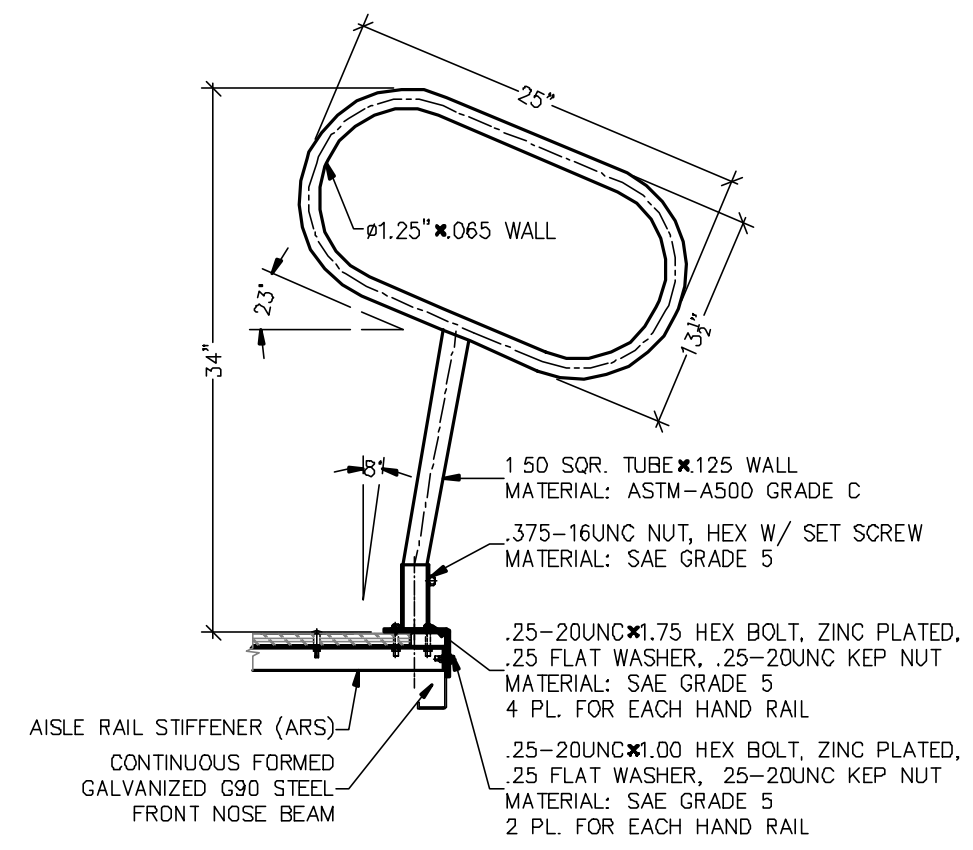


BLEACHER SUMMARY	
MODEL NUMBER	M200
ROWS	SIXTEEN (16)
ATTACHMENT	WALL ATTACHED
RUN (IN.)	26"
RISE (IN.)	11 5/8"
END RAIL STYLE	SELF-STORING
ISLES	FOOT LEVEL AISLES W/ REMOV. CENTER AISLE HANDRAILS & INTERMEDIATE AISLE STEPS
NOSING STYLE	14GA.-C.Q. OR EQUIV. GALV. STEEL
REAR SUPPORT	14GA.-C.Q. OR EQUIV. GALV. STEEL
SEAT STYLE	STANDARD 10" MOLDED PLASTIC
REAR FILLER	DECK LEVEL PLYWOOD
OPERATION	INTEGRAL ELECTRIC DRIVES
TREADS	STANDARD NON-SLIP
OPERATOR	6-0.25 H.P., 208V, 3 PHASE DRIVE MOTORS, REF. EL1 FOR DETAILS



2 CENTER AISLE HAND RAIL
SCALE: 1"=1'-0" (1:12)

MANUFACTURER'S DESIGN CRITERIA	
1.	GYMNASIUM SEATING ASSEMBLY IS DESIGNED TO SUPPORT, IN ADDITION TO ITS OWN WEIGHT, AN APPLIED LIVE LOAD OF 120 P.L.F. (POUNDS PER LINEAR FOOT). THE ASSEMBLY SHALL ALSO BE DESIGNED TO SUPPORT AN APPLIED LIVE LOAD OF 100 P.S.F. (POUNDS PER SQUARE FOOT). THE SYSTEM SHALL ALSO BE DESIGNED TO RESIST A FRONT TO REAR SWAY IN EXCESS OF 10 P.L.F. AND A SIDE TO SIDE SWAY LOAD OF 24 P.L.F.;
2.	GUARD RAILINGS ARE ENGINEERED TO WITHSTAND A LOAD OF 200 P.L.F. APPLIED AT THE TOP RAIL. ALSO DESIGNED TO RESIST A UNIFORM LOAD OF 50 P.L.F. AND A SIMULTANEOUS LOAD OF 100 PLF APPLIED VERTICALLY DOWNWARD;
3.	ALL WELDING IN ACCORDANCE WITH LATEST CSA W47.1 AND W59;
4.	ELECTRODE E4918 OR EQUIVALENT;
5.	MATERIAL CSA G40.21-300W OR 350W UNLESS NOTED OTHERWISE;
6.	TYPICAL WELD 3 mm (1/8") FILLET ALL AROUND UNLESS NOTED OTHERWISE;

1 SECTION THRU SEATING
SCALE: 3/8"=1'-0" (1:32)

REVISION STATUS	
DATE:	DESCRIPTION:
08-MAY-07	SUBMITTED FOR APPROVAL
25-MAY-07	FOR ENGINEER STAMP
02-JULY-07	APPROVED AS NOTED
05-JULY-07	FOR SHOP APPROVAL ONLY
09-AUG-07	FOR INSTALLATION PURPOSES

SHERIDAN
GYMNASIUM EQUIPMENT LTD.

AUTHORIZED DEALER:
H&B Specialized Products Inc.
2629 30th Avenue South
Minneapolis, MN, 55406

CLIENT: PLYMOUTH MIDDLE SCHOOL PLYMOUTH, MN 55441	
TITLE: TELESCOPIC BLEACHER SECTION	
MODEL: M200	ROWS: SIXTEEN (16)
FILE: PlymouthMS-S1	
DATE: 26-APR-07	
DRAWN BY: K.C.	
CHECKED BY: S.D.H./P.S.	

S1