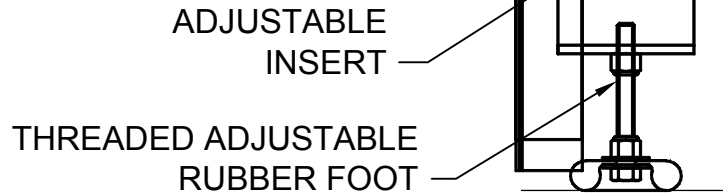
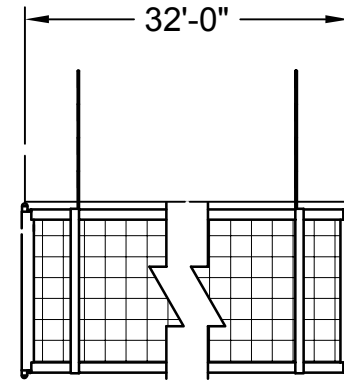


| REV. | DATE     | BY  | REVISION |
|------|----------|-----|----------|
| A    | 01/12/07 | WAE |          |

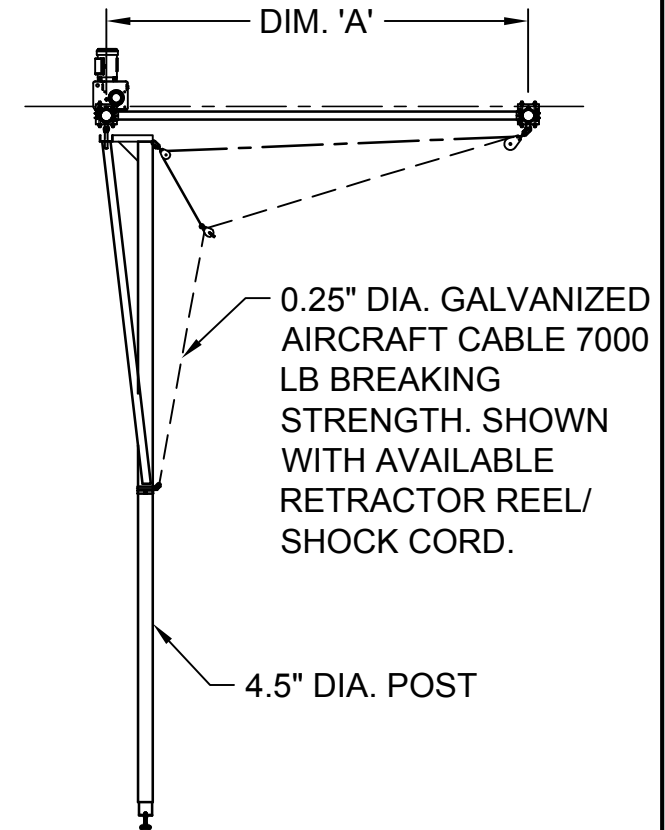
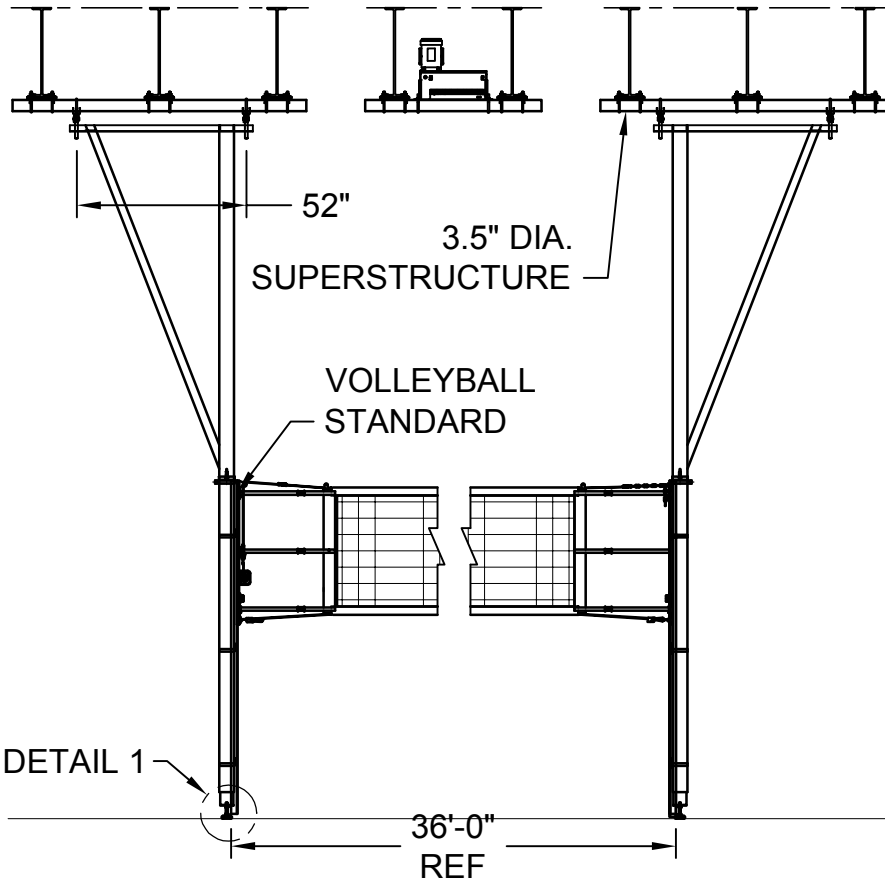
MOTOR DATA:  
1 HP, 120 VOLT, SINGLE PHASE  
WITH KEY SWITCH & RECEPTACLE



DETAIL 1



NET DETAIL



- DESIGNED TO REQUIRE NO FOLDING BRACING
- ADJUSTABLE LENGTH FOR BUILDING VARIATIONS
- DESIGNED TO ACCOMODATE NET SPORTS FROM MEN'S VOLLEYBALL HEIGHT TO TENNIS HEIGHT.
- DIMENSION 'A' IS DEPENDENT ON BUILDING HEIGHT. CONTACT PSS FOR SPECIFIC INFORMATION.



THIS DOCUMENT CONTAINS TRADE SECRET AND OTHER MATERIALS WHICH ARE PROTECTED BY CONFIDENTIALITY NOTICE AND AGREEMENT AND BY COPYRIGHT. ANY USE OR COPYING OF THIS DOCUMENT EXCEPT AS AUTHORIZED BY PERFORMANCE SPORTS SYSTEMS IS STRICTLY PROHIBITED.

|           |                                 |          |          |          |          |
|-----------|---------------------------------|----------|----------|----------|----------|
| DRAWN     |                                 | DATE     |          | MATERIAL |          |
| SNOW      |                                 | 09/16/05 |          | N/A      |          |
| APPROVED  |                                 | DATE     |          | FINISH   |          |
| AT5       |                                 | 09/16/05 |          | N/A      |          |
| FILE LOC. | Q:\Final Release\Specifications |          |          |          | DWG. NO. |
| A         | SCALE                           | SHT. NO. | PART NO. |          | 8001     |
|           | NONE                            | 1 OF 1   |          |          |          |
| REV       |                                 |          |          |          |          |
| A         |                                 |          |          |          |          |

CEILING SUSPENDED VOLLEYBALL