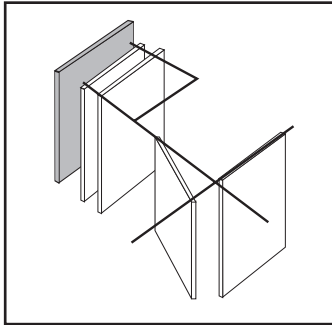


OPERABLE WALLS  
**Panelfold®**  
**Moduflex®**  
 SERIES 800  
 Individual  
 Panels

Model  
 810 MD  
 Multi-  
 Directional

PRODUCT BRIEF



**OPERATING FEATURES.**

**Moduflex Model 810MD**  
 Multi-directional, Individual panels, each supported with two glide discs or horizontal rotating ball-bearing carrier assemblies easily negotiate 90° 2,3 and 4 way track intersections. Each panel can be turned in any direction, anywhere along the track grid. Heights to 16' (4877).

**ACOUSTICAL PERFORMANCE.**

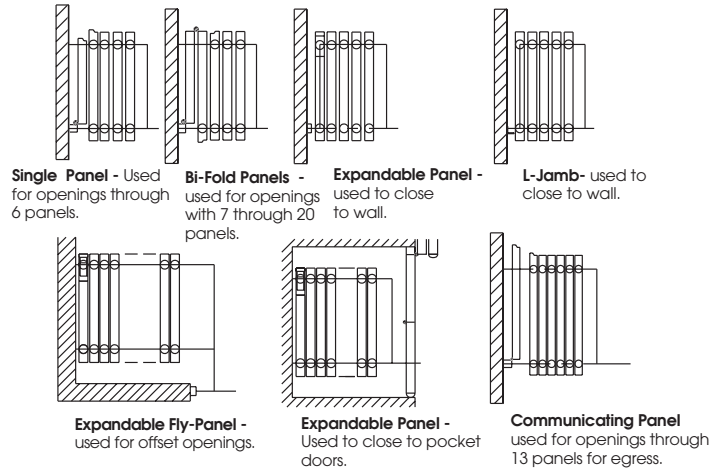
**Moduflex Series 800** operable walls have attained ratings of STC 54, STC 52, STC 49, STC 47 and N.R.C. .90 (STC 50).

**PANEL FINISHES.** A full range of vinyl, panel fabric, and wall carpet as well as Customer's Own Materials is offered.

**U.L.® FIRE RATING.** Series 800 walls may be specified with one hour rating.

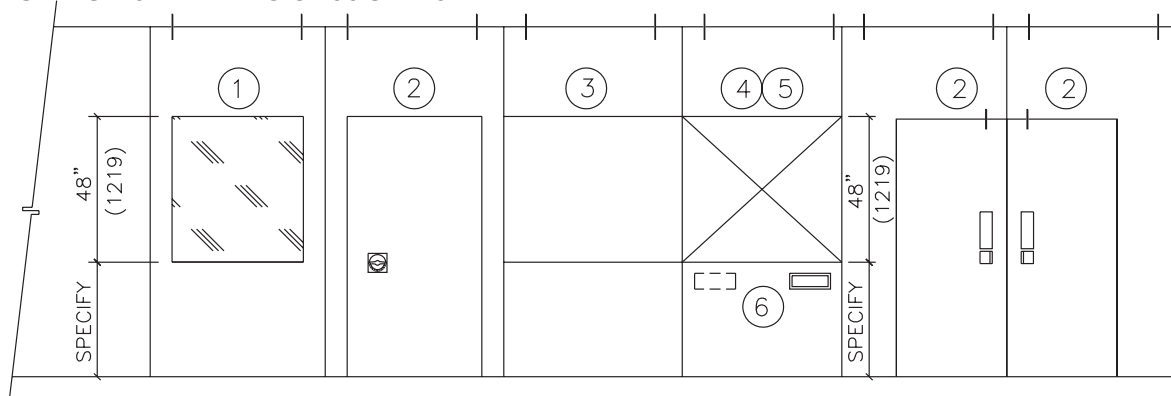
TYPES OF CLOSURES

See pages 2,3 and 4 for details.



OPTIONS AND ACCESSORIES

ELEVATION



OPTIONS SPECIFICATIONS

See page 8 for Product Specifications

- ① WINDOWS where indicated on the plans shall be nominally (specify: 48" (1219) high; or full panel height). Windows shall be (specify: factory glazed with 1/4" (6) clear acrylic; or unglazed, framed opening only). Windows shall be bronze trimmed.
- ② SINGLE PASS DOORS where indicated shall be nominally (specify: 3'0" (914); or 2'8" (813)) wide by (specify: 6'8" (2032); or 7'0" (2134)) high. Doors shall be manufactured of the same materials and thickness as the panels and be equipped with butt-type hinges and positive latches with drop cup and ring pulls. Double doors have roller latches. Options: deadbolt locks; self illuminated exit signs; hydraulic door closers; A.D.A. compliant friction roller latch with flush pulls.
- ③ TACKBOARDS where indicated shall be nominally (specify: 48" (1219) high; or full panel height). Tackboards shall consist of 1/4" (6) cork surfaced with minimum 30oz per lineal yard Type II

- Fabrictex vinyl fabric (color to be selected from manufacturer's standards) and bronze trimmed.
- ④ CHALKBOARDS where indicated shall be nominally (specify: 48" (1219) high; or full panel height). Chalkboards shall be chalkable porcelain enameled steel (color to be selected from manufacturer's standards) and bronze trimmed.
- ⑤ MARKERBOARDS where indicated shall be nominally (specify: 48" (1219) high; or full panel height) and be of suitable non-porous surfaced porcelain enameled steel for application of write-on, wipe-off marker pens. Color of markerboards to be selected from manufacturer's standards and bronze trimmed.
- ⑥ RECESSED TRAY for storing chalk or marking pens and erasers shall be installed where indicated and shall be bronze color.

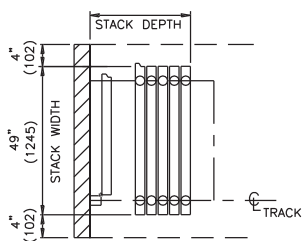
FURTHER INFORMATION. All dimensions shown in parentheses are millimeters. **Moduflex Series 800** operable walls have four inch thick welded steel panels for high performance demanding applications and are supplied with Manuseal™ clearance type bottom seal mechanisms that are actuated by a removable tool. Scale N.T.S.



# Moduflex® SERIES 800

## Individual Panels Model 810 MD

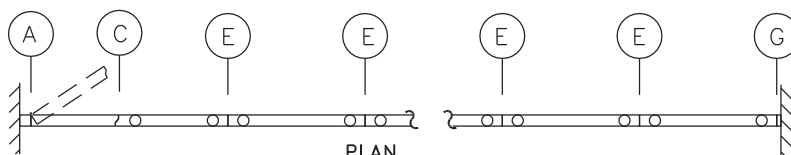
### TYPES OF CLOSURES AND PANEL STACKING



STACK

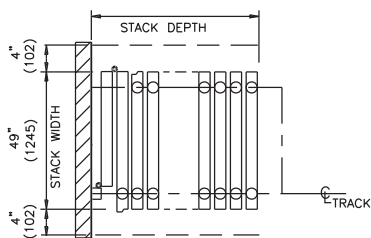
#### Single Panel

USED FOR OPENINGS THROUGH 6 PANELS



PLAN

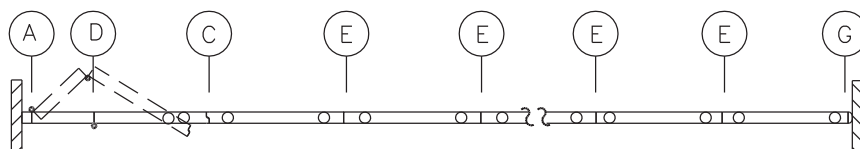
$$\text{STACK DEPTH} = \text{NO. PANELS} \times 4.625'' (117) \text{ PLUS } 3 \frac{1}{2}'' (89)$$



STACK

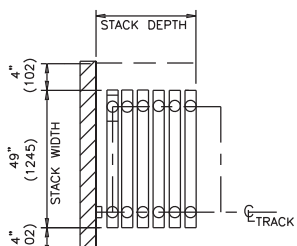
#### Bi-Fold Panels

USED FOR OPENINGS WITH 7 THROUGH 20 PANELS



PLAN

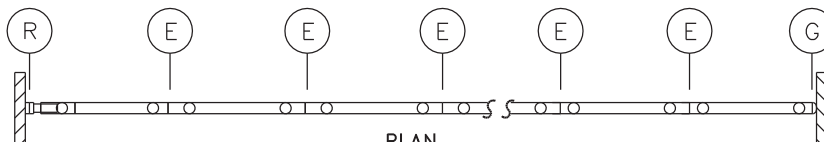
$$\text{STACK DEPTH} = \text{NO. PANELS} \times 4.625'' (117) \text{ PLUS } 3 \frac{1}{2}'' (89)$$



STACK

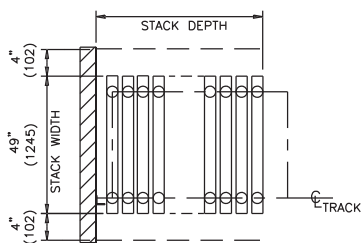
#### Expandable Panel

USED FOR OPENINGS THROUGH 6 PANELS



PLAN

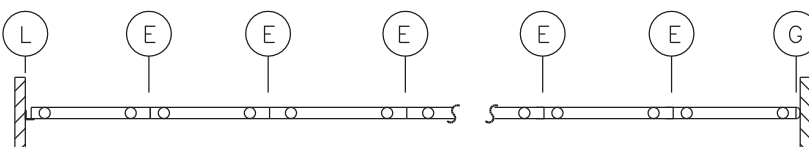
$$\text{STACK DEPTH} = \text{NO. PANELS} \times 4.625'' (117) \text{ PLUS } 3 \frac{1}{2}'' (89)$$



STACK

#### L-Jamb

USED FOR OPENINGS WITH 7 THROUGH 20 PANELS



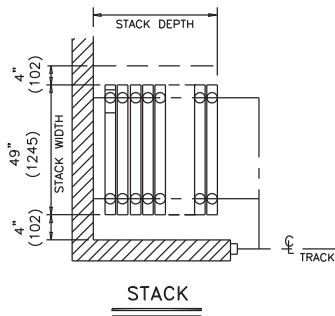
PLAN

$$\text{STACK DEPTH} = \text{NO. PANELS} \times 4.625'' (117) \text{ PLUS } 3 \frac{1}{2}'' (89)$$



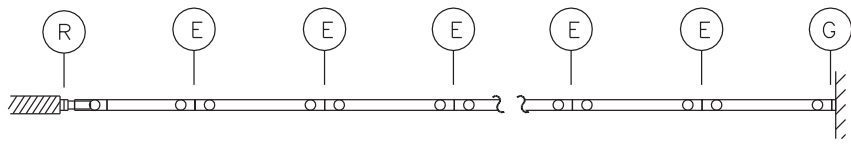
**Moduflex® SERIES 800**  
Individual Panels Model 810 MD

TYPES OF CLOSURES AND PANEL STACKING

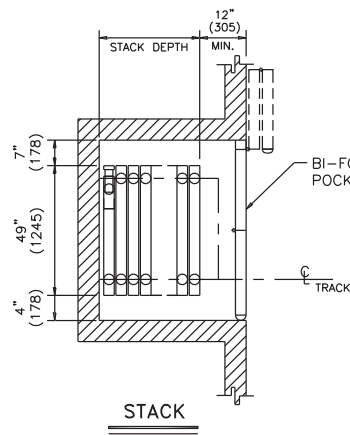


**Expandable Panel**

USED FOR OFF-SET OPENINGS

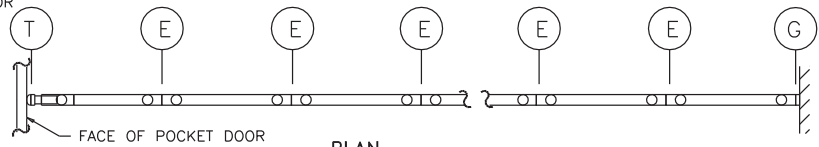


STACK DEPTH = NO. PANELS X 4.625" (117)

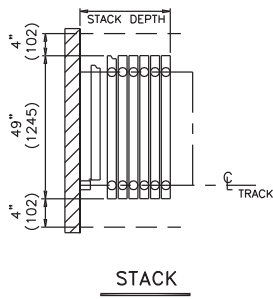


**Expandable Panel**

USED TO CLOSE TO POCKET DOOR

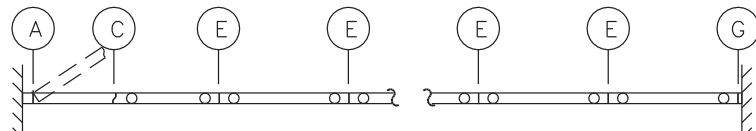


STACK DEPTH = NO. PANELS X 4.625" (117)



**Communicating Panel**

USED FOR OPENINGS THROUGH 13 PANELS



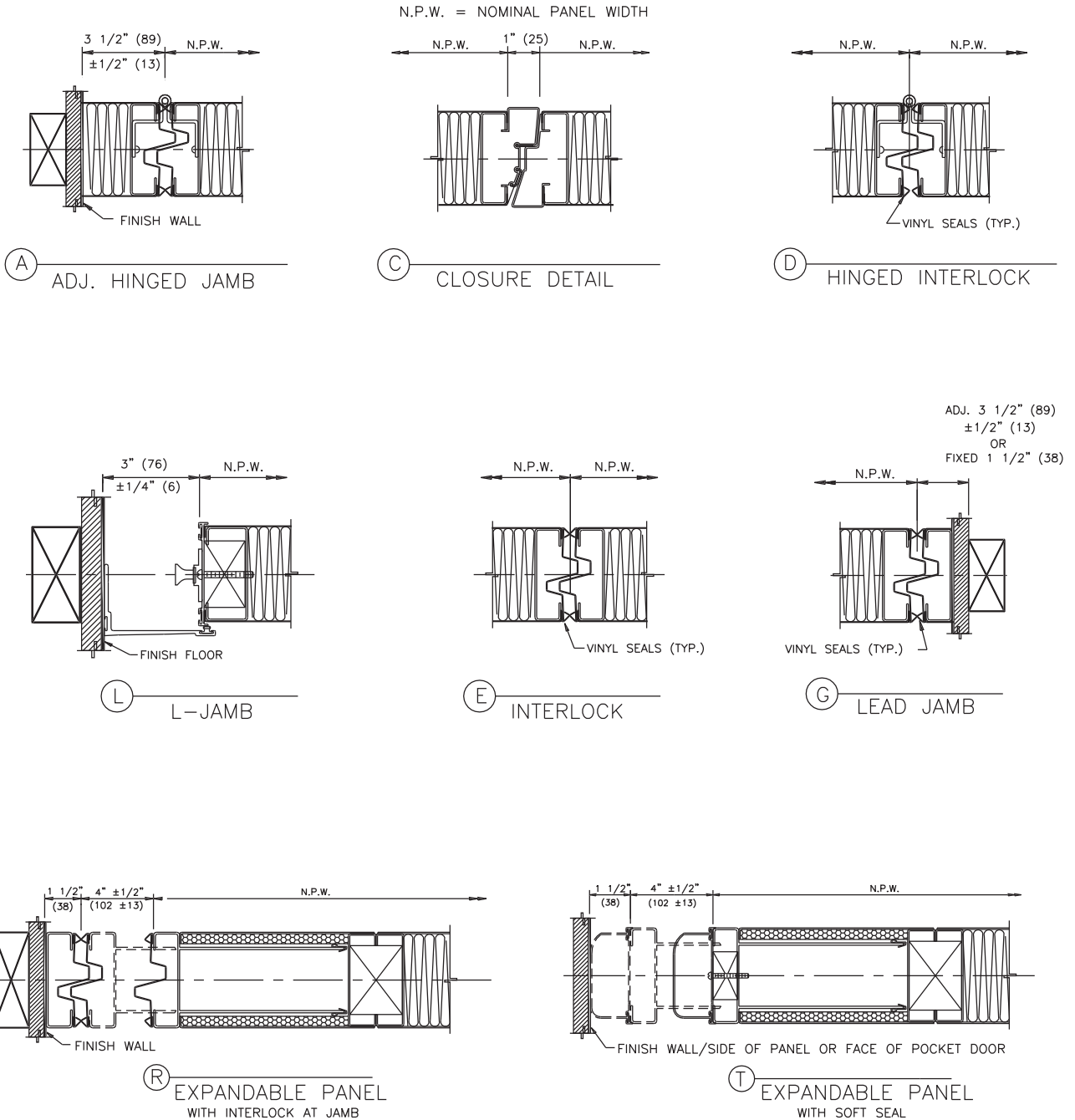
STACK DEPTH = NO. PANELS X 4.625" (117) PLUS 3 1/2" (89)



# Moduflex SERIES 800

## Individual Panels Model 810 MD

### JAMBS AND PANEL INTERLOCKING DETAILS



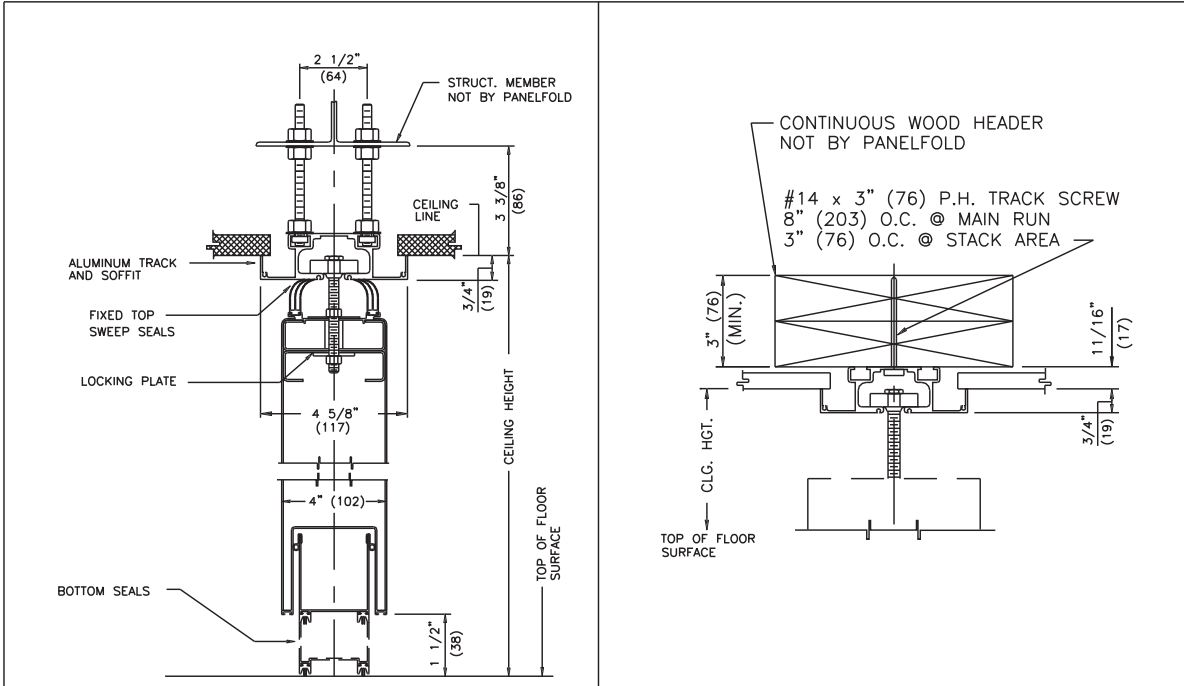
All dimensions shown in parentheses are millimeters. Scale: N.T.S.



# Moduflex® SERIES 800

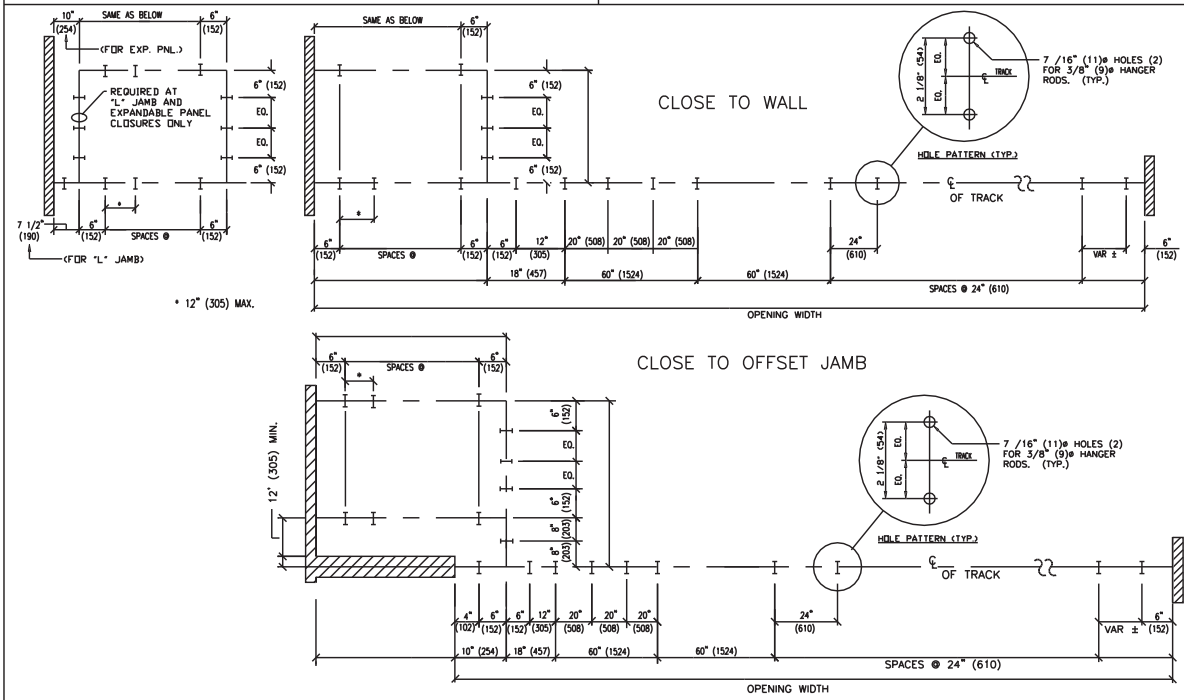
## Individual Panels Model 810 MD

VERTICAL SECTION - HEAD DETAILS - TYPE 1 ALUMINUM TRACK - HEIGHTS TO 10'0" (3048)



TYPE 1 TRACK  
HANGER ROD SUSPENSION

TYPE 1 TRACK  
DIRECT MOUNT



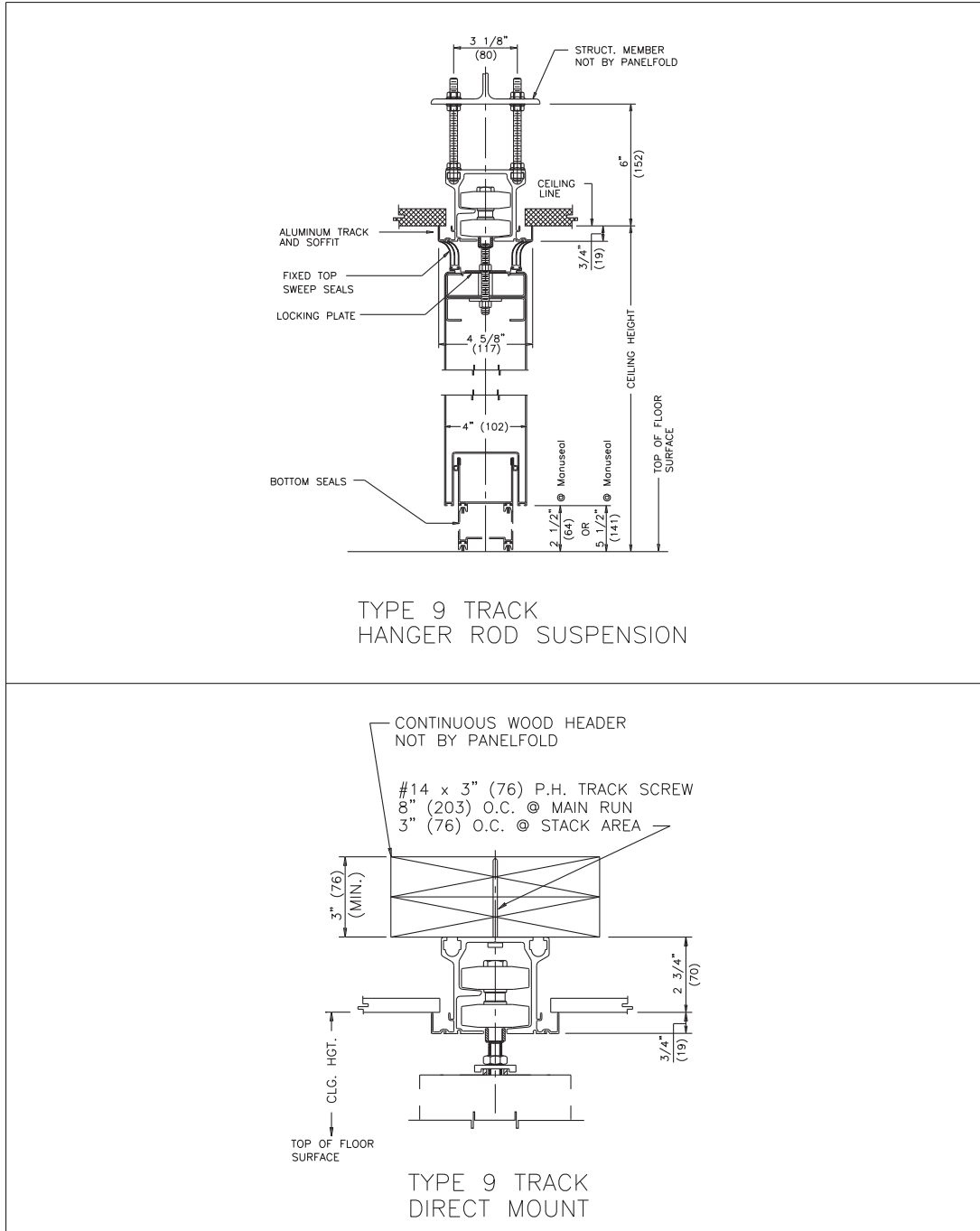
All dimensions shown in parentheses are millimeters. Scale: N.T.S.



# Moduflex SERIES 800

## Individual Panels Model 810 MD

VERTICAL SECTION - HEAD DETAILS - TYPE 9 ALUMINUM TRACK - HEIGHTS TO 16' (4877)

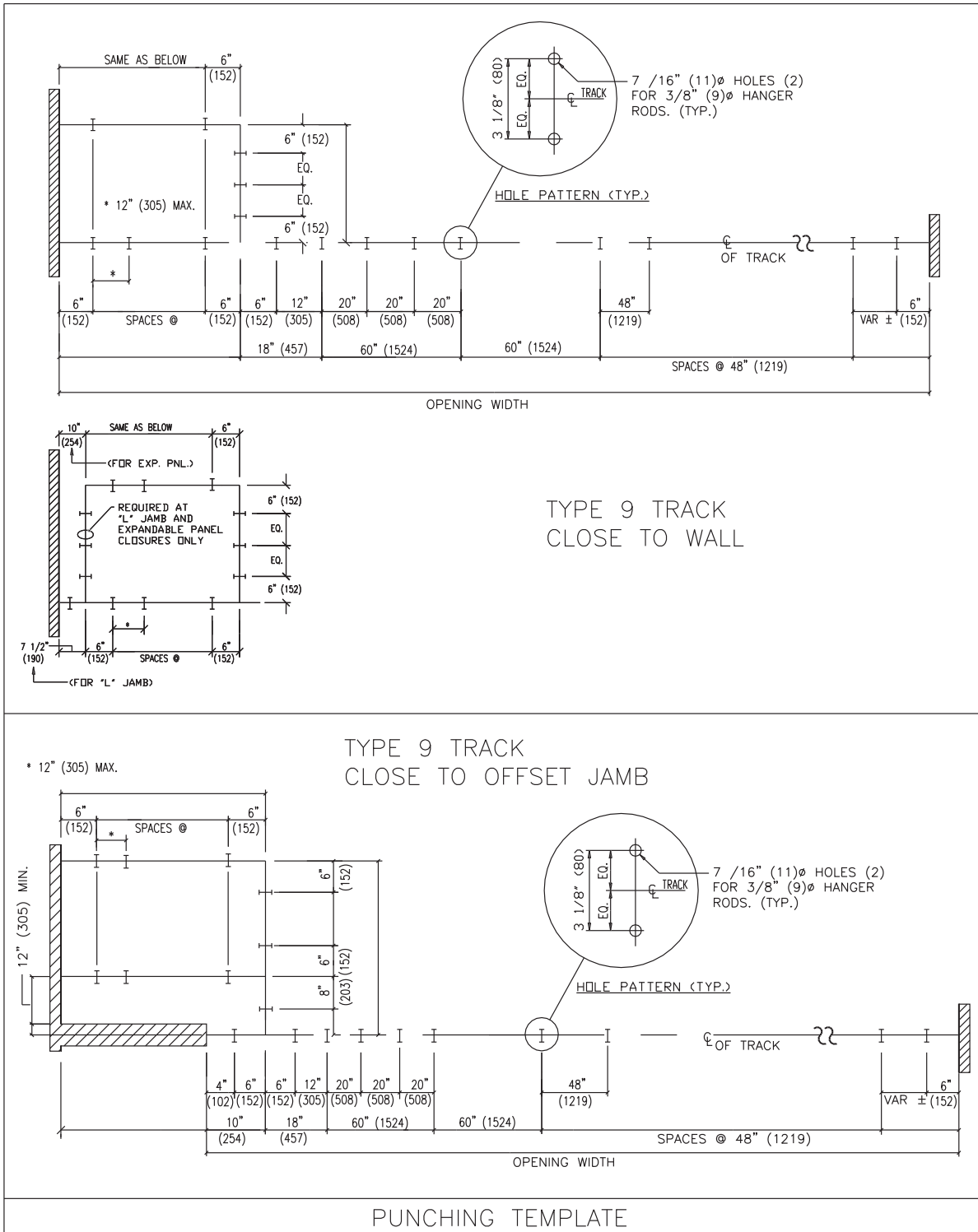


All dimensions shown in parentheses are millimeters. Scale: N.T.S.



**Moduflex® SERIES 800**  
Individual Panels Model 810 MD

**TYPE 9 ALUMINUM TRACK  
PUNCHING TEMPLATE**



All dimensions shown in parentheses are millimeters. Scale: N.T.S.

# Moduflex® SERIE 800

## Individual Panels Model 810MD (Multi-Directional)

### PRODUCT SPECIFICATIONS: SECTION 10650 - OPERABLE WALLS

#### PART 1 GENERAL

(See Project Guide Specifications for Scope, Related Work, References, Submittals, Product Delivery and Acceptable Manufacturers paragraphs.)

#### PART 2 PRODUCTS

- 2.1 **OPERABLE WALLS** shall be manufactured by Panelfold, Inc., Miami, Florida, U.S.A. and installed by an authorized representative of the manufacturer in openings prepared by others to Moduflex Series 800 requirements.
- 2.2 **OPERATION** shall consist of a series of manually operated flat panels, top supported. Top and bottom seals shall be as specified in paragraph 2.9.
- 2.3 **PANEL CONFIGURATION** shall be as follows for areas indicated on the plans:
- 2.3.1 **MODEL 810MD** shall be comprised of a series of multi-directional individual panels, side or remote stacking (located in room(s) );).
- 2.3.2 Final closure shall be effected by (specify: Jamb-Hinged single or bi-fold Panels; Expandable Panels; or Jamb-Hinged Communicating Panels).
- 2.4 **PANELS** shall be one-piece 4" (102) thick, all-steel construction. Continuous steel panel faces shall be invisibly welded to minimum 14 gauge (1.90) one-piece steel frames. Horizontal or vertical spliced frames or faces shall not be permitted. Interlocking vertical panel edges shall be made of steel.
- The vertical edges of the panels shall not require trim thus minimizing the appearance of the vertical joining of the Sheer-Look panels.
- 2.5 **PANELS** shall be factory surfaced with one of the following (colors to be selected from manufacturer's standards):
- 2.5.1 Manufacturer's standard vinyl, Class A flame spread (specify Type I; or Type II).
- 2.5.2 Manufacturer's standard Ribtex Basic, vertical-rib wall carpeting, Class A.
- 2.5.3 Manufacturer's Woventex panel fabric, Class A, acrylic latex backed.
- 2.5.4 Maharam Tekwall panel fabric, Class A, acrylic backed.
- 2.5.5 Customer's Own Material to be factory applied (subject to approval by the manufacturer for suitability to standard manufacturing processes and equipment).
- 2.5.6 Coated steel panel faces for field surfacing by others.
- 2.6 **HANGING WEIGHT** of panels shall not exceed 12 lbs./ft<sup>2</sup> (58.6 kg/m<sup>2</sup>).
- 2.7 **ACOUSTICAL RATING** as tested by an independent acoustical laboratory in accordance with

ASTM E90-81 test procedures in a full scale 14'0" (4267) by 9'3" (2819) opening shall be (specify: STC 54, STC 52, STC 49 or STC 47). Optional N.R.C. .90, STC 50.

- 2.8 **ECHOSORB™ ACOUSTICAL WALL PANELS** shall be provided where shown on the plans. Acoustical panels shall have obtained an NRC .75 rating per ASTM 423. Panels shall be provided with quick mounting and dis-mounting hardware requiring no tools. Acoustical transparent fabric to be selected from manufacturer's standards.
- 2.9 **SOUND SEALS** shall be as follows:
- 2.9.1 Vertical seals between panels shall consist of deep nesting, universal interlocking ESP bronze steel astragals incorporating continuous, vinyl acoustical seals. Vertical astragal vinyl seals shall be installed on the outboard edges of the panel skins in a double row with an acoustical labyrinth.
- 2.9.2 Horizontal TOP seals shall be (specify: continuous contact extruded vinyl shapes; or clearance type, automatically actuated; or clearance type, manually actuated).
- 2.9.3 Horizontal BOTTOM seals shall be 1 1/2" (38) clearance-type manually actuated at waist height on panel edges). Downward pressure of all clearance-type seal mechanisms shall assure an acoustical seal and resist panel movement.
- 2.10 **SUSPENSION SYSTEM** shall be heavy duty aluminum multi-directional (specify: type 1, or type 9) track. Track shall be supported by (specify: adjustable steel hanger rods; or direct mount). Each panel shall be supported by two carrier assemblies of (specify: glide discs, or dual horizontal rotating ball bearing wheels). Carrier assemblies shall be attached to the panels with adjustable steel pendant bolts with locks to prevent panel misalignment.
- 2.11 **PANELS** that are hinged together shall be hinged with manufacturer's standard butt-type hinges.
- 2.12 **POCKET DOORS** where indicated on the plans shall be manufactured of the same materials as the panels. Hinges shall be standard butt-type.
- 2.13 **OPTIONAL U.L.** One Hour fire rated Firecoustic models including full-thickness acoustical single and double pass doors, standard panel surfaces and intersecting walls shall be supplied where indicated on the plans.

#### PART 3 EXECUTION

(See Project Guide Specifications for Execution, Installation, Cleaning and Demonstration paragraphs).

- NOTE:** The ASTM - 84 procedure Class A flame spread and other test results referenced herein are for comparison purposes only and are not intended to reflect hazards presented by this or any other materials under actual fire conditions.

For further information, or additional technical information, contact your Panelfold distributor.

# Panelfold®

FOLDING DOORS ¥ ACOUSTICAL FOLDING PARTITIONS ¥ ACOUSTICAL PANELS  
OPERABLE WALLS ¥ RELOCATABLE WALLS

Panelfold, Inc. P.O. Box 680130, Miami, Florida 33168  
(305) 688-3501 ¥ FAX: (305) 688-0185

Internet: www.panelfold.com ¥ E-mail: sales@panelfold.com