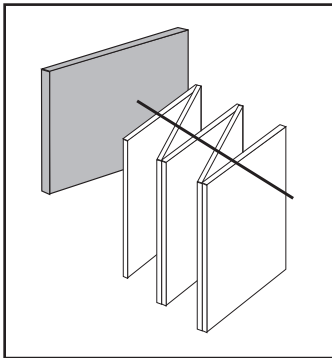


OPERABLE WALLS
Panelfold®
Moduflex®
SERIES 800
 Continuously Hinged Panels
 Model 840
 Electrically Operated

PRODUCT BRIEF



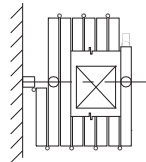
OPERATING FEATURES.
Moduflex Model 840 continuously-hinged panels, top supported on alternate panels by radial type, steel ball-bearing wheels, are electrically chain driven and "center" stacked. Heights to 26' (7925).

ACOUSTICAL PERFORMANCE.
Moduflex Series 800 operable walls have attained ratings of STC 54, STC 52, STC 49 and STC 47 and N.R.C. .90 (STC 50).

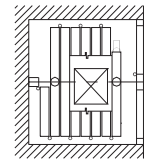
PANEL FINISHES. A full range of vinyl, panel fabric and wall

carpet as well as Customer's Own Material may be specified.

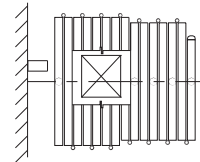
TYPES OF CLOSURES
 See pages 2,3 and 4 for details.



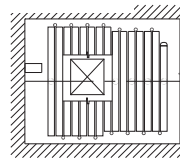
Half Panel used with even numbered panel openings.



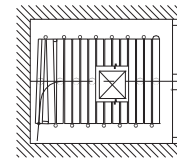
Half Panel with pocket. used with even numbered panel openings.



Offset Jamb used with odd numbered panel openings.

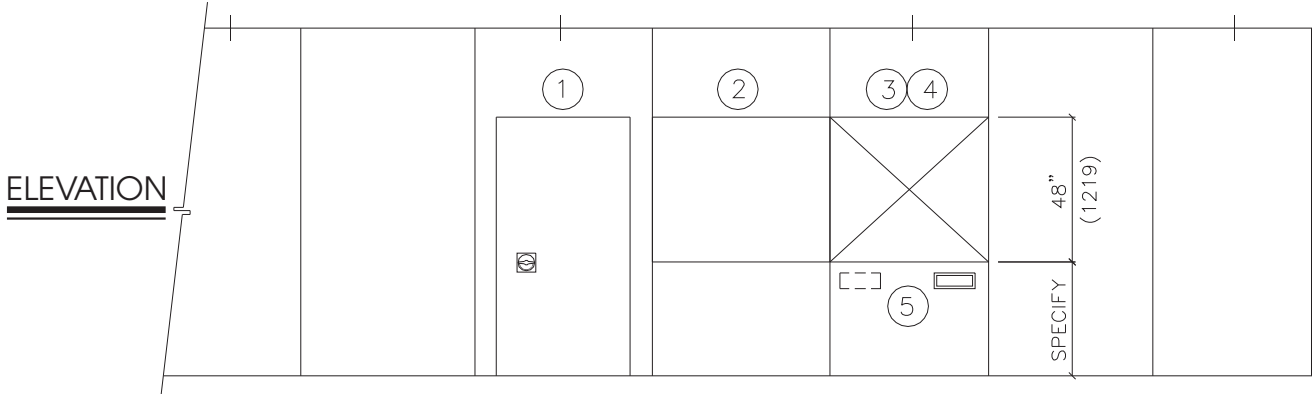


Offset Jamb with pocket. used with odd numbered panel openings.



Seal Thru Pocket Door used with odd numbered panel openings.

OPTIONS AND ACCESSORIES



ELEVATION

OPTIONS SPECIFICATIONS
 See page 6 for Product Specifications

- ① SINGLE PASS DOORS where indicated shall be nominally (specify: 30" (914); or 28" (813)) wide by (specify: 68" (2032); or 70" (2134)) high. Doors shall be manufactured of the same materials and thickness as the panels and be equipped with butt-type hinges and positive latches with drop cup and ring pulls. Options: deadbolt locks; self illuminated exit signs; hydraulic door closers; A.D.A. compliant friction roller latch with flush pulls.
- ② TACKBOARDS where indicated shall be nominally (specify: 48" (1219)) high; or full panel height). Tackboards shall consist of 1/4" (6) cork surfaced with minimum 30oz per lineal yard Type II Fabricex vinyl fabric (color to be selected from manufacturer's standards) and bronze trimmed.
- ③ CHALKBOARDS where indicated shall be nominally (specify: 48" (1219) high; or full panel height). Chalkboards shall be chalkable porcelain enameled steel (color to be selected from manufacturer's standards) and bronze trimmed.
- ④ MARKERBOARDS where indicated shall be nominally (specify: 48" (1219) high; or full panel height) and be of suitable non-porous surfaced porcelain enameled steel for application of write-on, wipe-off marker pens. Color of markerboards to be selected from manufacturer's standards and bronze trimmed.
- ⑤ RECESSED TRAY for storing chalk or marking pens and erasers shall be installed where indicated and shall be bronze color.

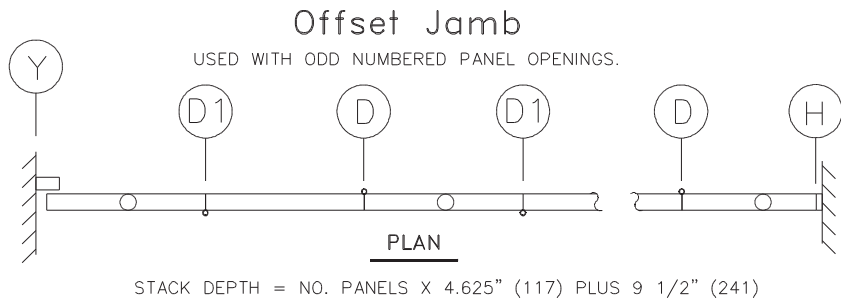
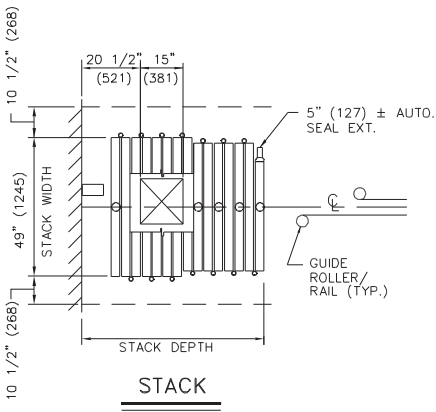
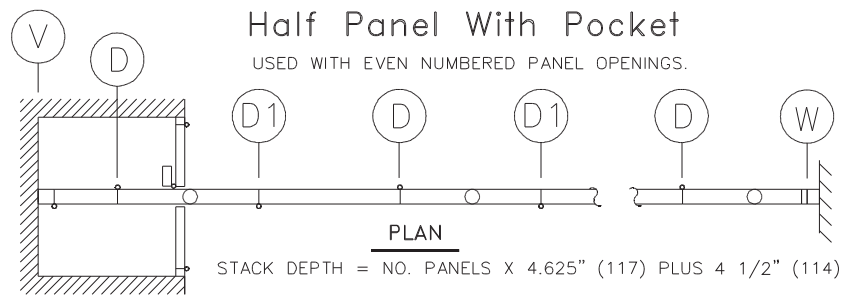
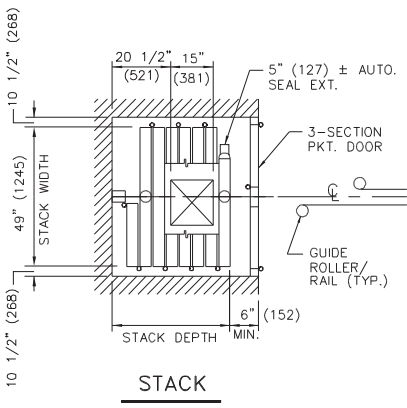
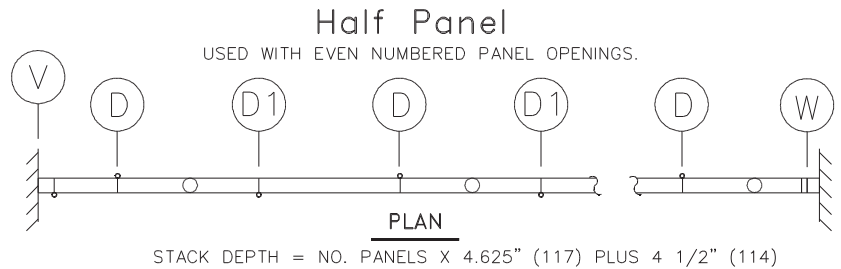
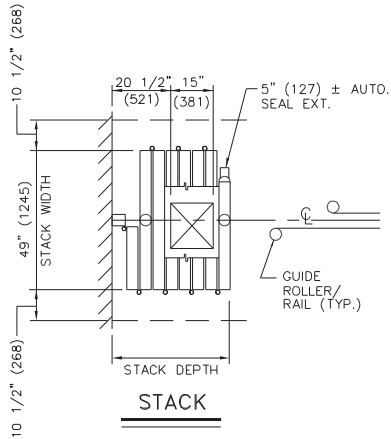
FURTHER INFORMATION. All dimensions shown in parentheses are millimeters. **Moduflex Series 800** operable walls have four inch welded steel panels for high performance demanding applications and are supplied with Autoseal™ clearance type bottom seal mechanisms that are actuated automatically by the final closing action of the wall. Optional self-compensating seals available. Scale N.T.S.



Moduflex® SERIES 800

Continuously-Hinged Panels Model 840 Electrically Operated

TYPES OF CLOSURES AND PANEL STACKING



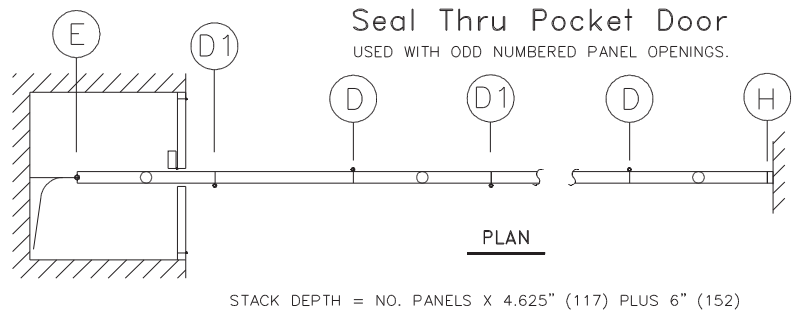
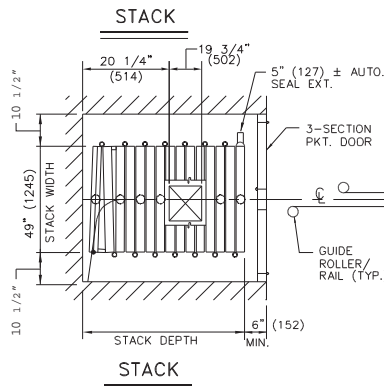
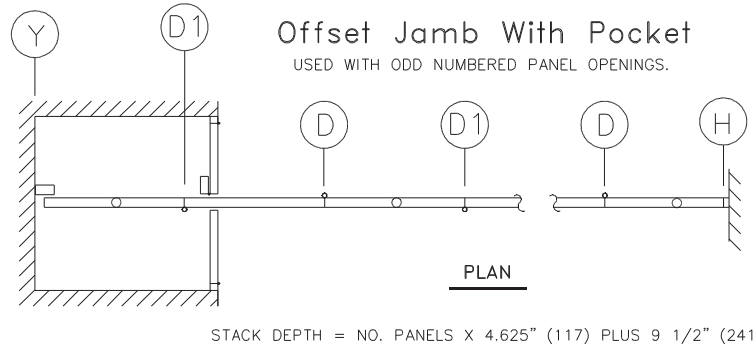
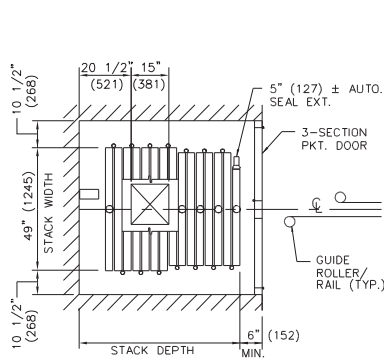
All dimensions shown in parentheses are millimeters. Scale: N.T.S.



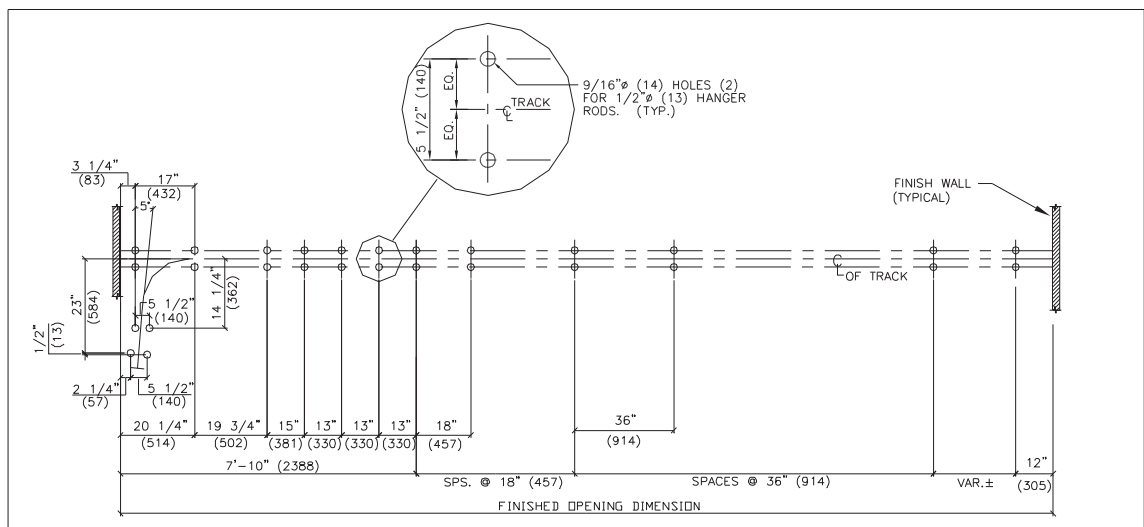
Moduflex® SERIES 800

Continuously-Hinged Panels Model 840 Electrically Operated

TYPES OF CLOSURES AND PANEL STACKING



PUNCHING TEMPLATE FOR SEAL THRU POCKET DOOR



All dimensions shown in parentheses are millimeters. Scale: N.T.S.

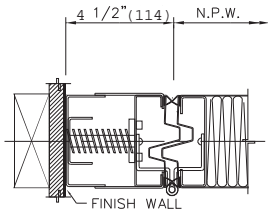


Moduflex® SERIES 800

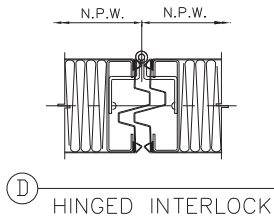
Continuously-Hinged Panels Model 840 Electrically Operated

JAMBS AND PANEL INTERLOCKING DETAILS

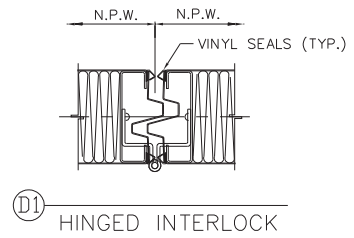
N.P.W. = NOMINAL PANEL WIDTH



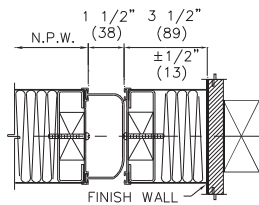
(V) SPRING LOADED JAMB



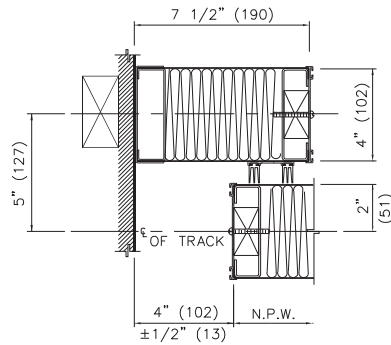
(D) HINGED INTERLOCK



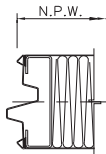
(DI) HINGED INTERLOCK



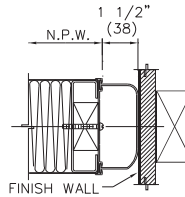
(W) ADJ. JAMB W/ SOFT SEAL



(Y) OFFSET JAMB



(E) INTERLOCK



(H) SOFT SEAL

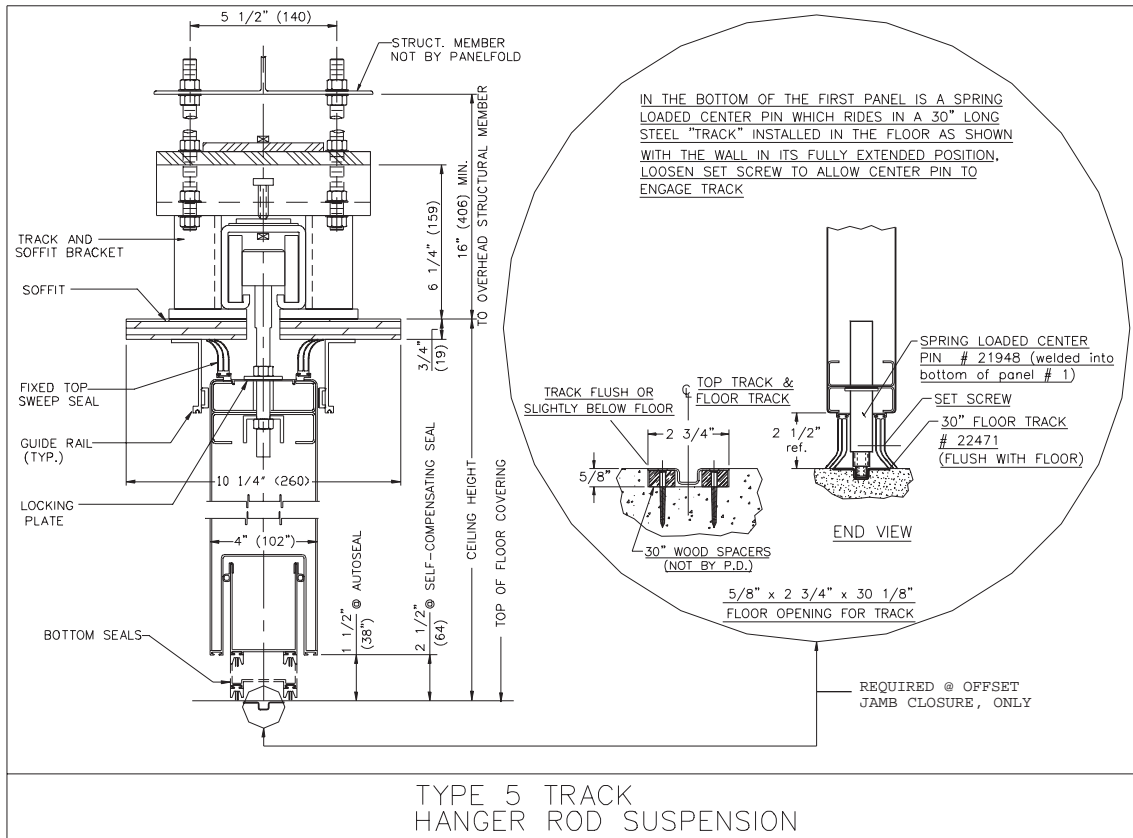
All dimensions shown in parentheses are millimeters. Scale: N.T.S.



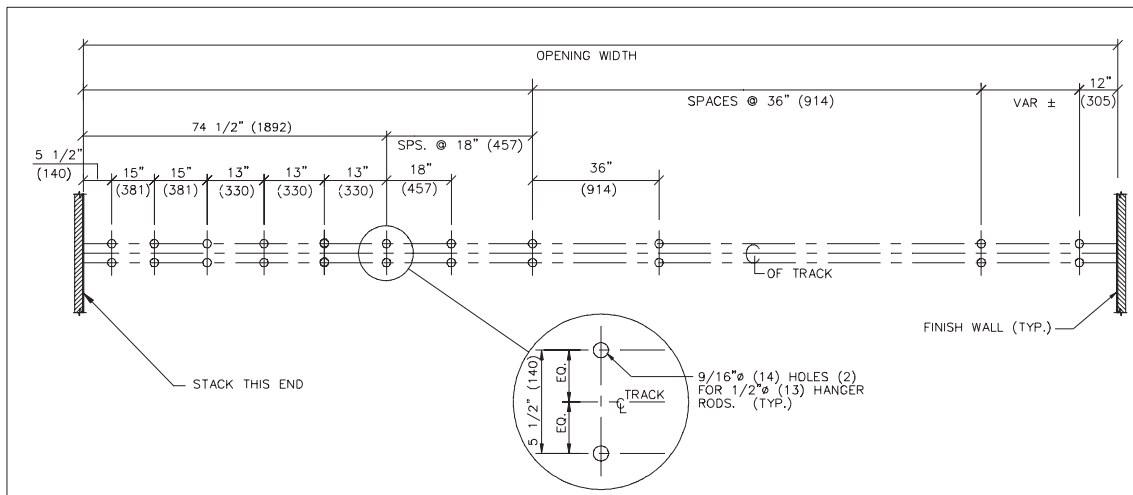
Moduflex® SERIES 800

Continuously-Hinged Panels Model 840 Electrically Operated

VERTICAL SECTION - HEAD DETAILS



PUNCHING TEMPLATE FOR HALF PANEL AND OFF-SET JAMB CLOSURES



All dimensions shown in parentheses are millimeters. Scale: N.T.S.

Moduflex® SERIES 800

Continuously-Hinged Panels Model 840 Electrically Operated

PRODUCT SPECIFICATIONS: SECTION 10650 - OPERABLE WALLS

PART 1 GENERAL

(See Project Guide Specifications for Scope, Related Work, References, Submittals, Product Delivery and Acceptable Manufacturers paragraphs.)

PART 2 PRODUCTS

2.1 OPERABLE WALLS shall be manufactured by Panelfold, Inc., Miami, Florida, U.S.A. and installed by an authorized representative of the manufacturer in openings prepared by others to Moduflex® Series 800 requirements.

2.2 OPERATION shall consist of a series of electrically operated flat panels, top supported. Top and bottom seals shall be as specified in paragraph 2.8.

2.3 PANEL CONFIGURATION shall be as follows for areas indicated on the plans:

2.3.1 MODEL 840 shall be comprised of a series of continuously-hinged panels, center stacking, electrically operated.

2.3.2 Final closure shall be effected by (specify: Jamb-hinged Half Panels; Offset Jamb; or Seal Thru Pocket Door).

2.4 PANELS shall be 4" (102) thick, one piece, all steel construction. Continuous steel panel faces shall be invisibly welded to minimum 14 gauge (1.90) one-piece steel frames. Horizontal or vertical spliced frames or faces shall not be permitted. Interlocking vertical panel edges shall be made of steel.

The vertical edges of the panels shall not require trim thus minimizing the appearance of the vertical joining of the Sheer-Look® panels.

2.5 PANELS shall be factory surfaced with one of the following (colors to be selected from manufacturer's standards):

2.5.1 Manufacturer's standard vinyl, Class A flame spread (specify: Type I; or Type II).

2.5.2 Manufacturer's standard Ribtex® Basic, vertical-rib wall carpeting, Class A.

2.5.3 Manufacturer's Woventex® panel fabric, Class A, acrylic latex backed.

2.5.4 Maharam Tekwall panel fabric, Class A, acrylic backed.

2.5.5 Customer's Own Material to be factory applied (subject to approval by the manufacturer for suitability to standard manufacturing processes and equipment).

2.5.6 Coated steel panel faces for field surfacing by others.

2.6 HANGING WEIGHT of panels shall not exceed 12lbs./ft² (58.6Kg/m²).

2.7 ACOUSTICAL RATING of panels as tested by an independent acoustical laboratory in accordance with ASTM E90-85 test procedures in a full scale 14'0" (4267) by 9'3" (2819) opening shall be (specify: STC54, STC 52, STC 49 or STC 47). Optional N.R.C. .90, STC 50 panels shall be supplied where indicated on the plans.

2.8 SOUND SEALS shall be as follows:

2.8.1. Vertical seals between panels shall consist of deep nesting, universal interlocking ESP bronze steel astragals incorporating continuous vinyl acoustical seals. Vertical astragal vinyl seals shall be installed on the outboard edges of the panel skins in a double row with an acoustical labyrinth.

2.8.2 Horizontal TOP seals shall be continuous contact extruded vinyl shapes.

2.8.3 Horizontal BOTTOM seals shall be (specify: 1-1/2" (38) clearance-type automatically actuated; or 2-1/2" self compensating). Downward pressure of all clearance type bottom seal mechanisms shall assure an acoustical seal and resist panel movement.

2.9 SUSPENSION SYSTEM shall be steel Type 5 track. Track hanger brackets shall be supported by adjustable steel hanger rods. Alternate panels shall be supported by trolley assemblies of steel radial type ball-bearing wheels. Trolleys shall be attached to the panels with adjustable steel pendant bolts with locks to prevent panel misalignment.

2.10 PANELS shall be hinged with manufacturer's standard butt-type hinges.

2.11 POCKET DOORS where indicated on the plans shall be manufactured of the same materials as the panels. Hinges shall be standard butt-type.

PART 3 EXECUTION

(See Project Guide Specifications for Execution, Installation, Cleaning and Demonstration paragraphs).

NOTE: The ASTM - 84 procedure Class A flame spread and other test results referenced herein are for comparison purposes only and are not intended to reflect hazards presented by this or any other materials under actual fire conditions.

For further information, or additional technical information, contact your Panelfold distributor.

Panelfold®

FOLDING DOORS • ACOUSTICAL FOLDING PARTITIONS • ACOUSTICAL PANELS
OPERABLE WALLS • RELOCATABLE WALLS

Panelfold, Inc. P.O. Box 680130, Miami, Florida 33168
(305) 688-3501 • FAX: (305) 688-0185
Internet: www.panelfold.com • E-mail: sales@panelfold.com