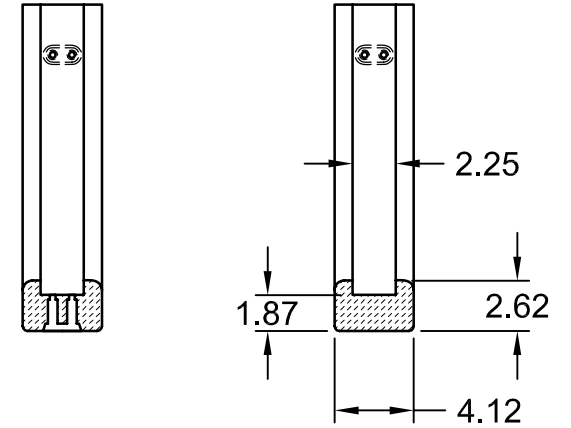
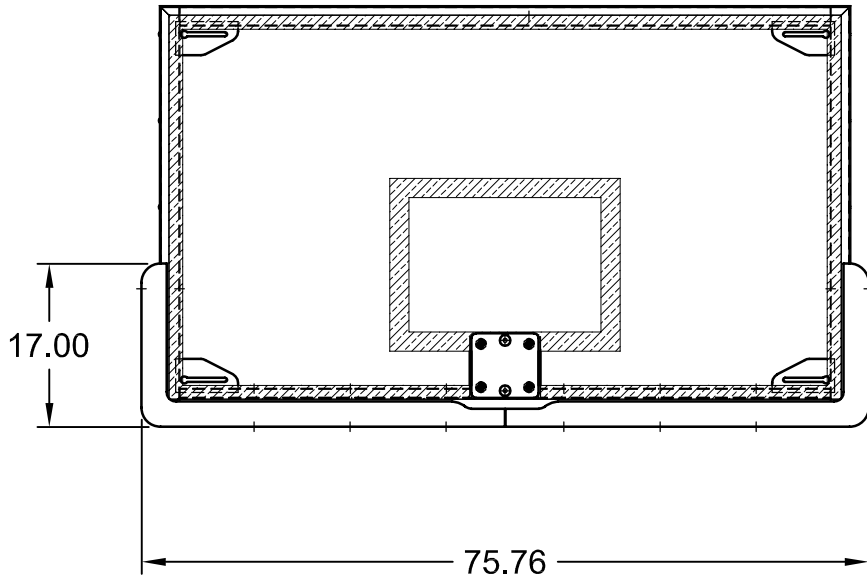


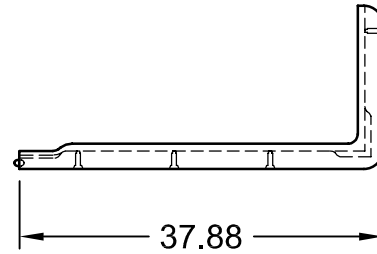
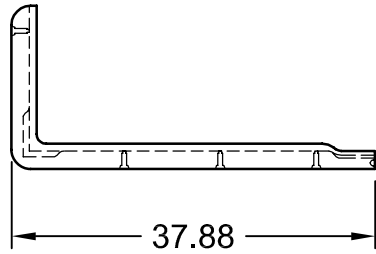
REVISION		
REV.	DATE	BY
A	12/08/03	JJC
B	12/18/06	JJC



THIS DOCUMENT CONTAINS TRADE SECRET AND OTHER MATERIALS WHICH ARE PROTECTED BY CONFIDENTIALITY NOTICE AND AGREEMENT AND BY COPYRIGHT. ANY USE OR COPYING OF THIS DOCUMENT EXCEPT AS AUTHORIZED BY PERFORMANCE SPORTS SYSTEMS IS STRICTLY PROHIBITED.			
BACKBOARD PADDING - BOLT ON			
DRAWN	CONNERLEY	DATE	04/18/03
APPROVED	JJC	DATE	04/18/03
FILE LOC.	Q:\Final Release\Specifications		
SIZE	SCALE	SHT. NO.	PART NO.
A	NONE	1 OF 1	PMCE
MATERIAL N/A		FINISH	N/A
DWG. NO.		1330	
REV	B		



CROSS SECTIONS



COLOR	PART #	MODEL #
FOREST GREEN	PMCEFST	1330
GRAY	PMCEGRY	1331
SCARLET RED	PMCESCAR	1334
KELLY GREEN	PMCEKEL	1335
NAVY BLUE	PMCENAV	1336
ROYAL BLUE	PMCEROY	1337
BLACK	PMCEBLK	1338

BOLT ON BACKBOARD PADDING IS DESIGNED FOR USE ON RECTANGULAR GLASS BOARDS WITH ALUMINUM OR STEEL FRAMES. IT IS NOT RECOMMENDED FOR USE ON RECTANGULAR WOOD AND FIBERGLASS BOARDS OR ANY FAN SHAPED BACKBOARD.