

# JAYPRO CLIMBING ROPES

**MODEL CR - MANILA ROPES:** Traditional superior quality 3 strand 1-1/2" diameter pure "Grade A" manila rope complete with specially designed eye fitting ready for easy installation to your ceiling attachment. This natural fiber rope absorbs perspiration for the best grip as is extremely durable.

**MODEL CRP - POLYPRO "UNMANILA" ROPES:** "Unmanila ropes consist of a specially manufactured polypro material which looks and feels like natural fiber ropes with superior strength and at 2/3 the weight. Texture on surface allows good grip. Particularly popular on elementary level.

**MODEL CRD - "POLYPLUS" ROPES:** New "polyplus" Climbing Ropes introduces an extremely soft 1-1/2" diameter rope material which has an extremely strong and lightweight polypro core with a soft and durable polyester outside jacket layer similar to the feel of cotton or dacron®.

All climbing ropes shall be available with choice of 1)whipped end, 2)polyboot end, or 3) leather seat on a turk head knotted end. Ropes shall be supplied at 18' unless otherwise specified.

## ROPE OPTIONS

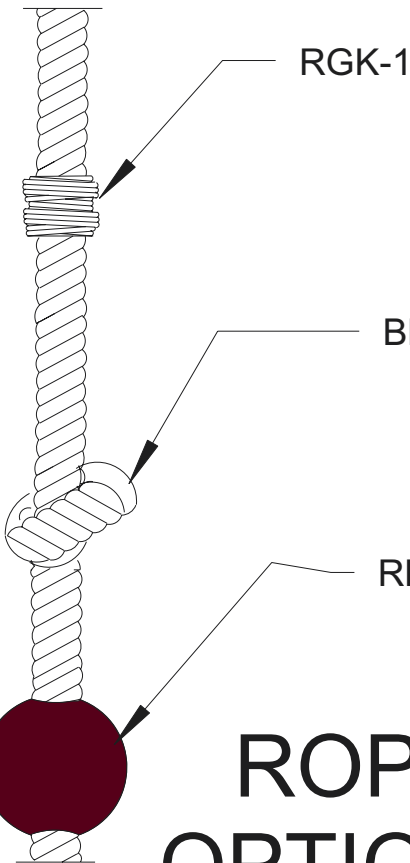
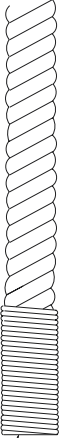
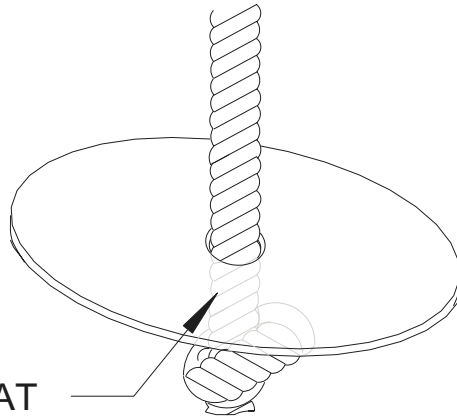
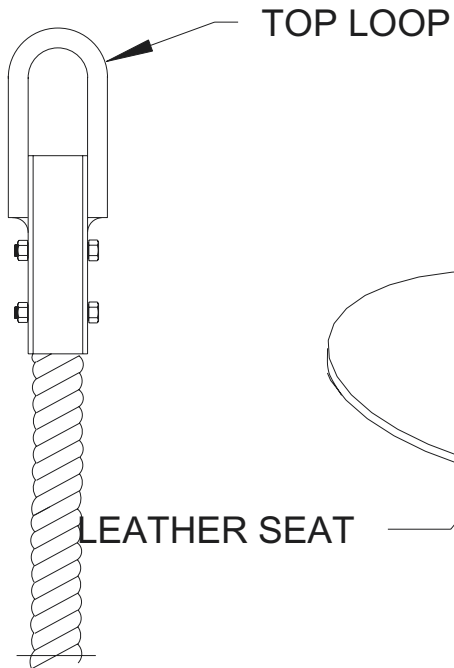
**MODEL RGK-1 REST/GRIP KNOTS:** Woven grip knots spliced into rope providing assistance in gripping when ascending rope and rest areas descending rope. Quantity and location must be specified.

**MODEL BK-1 BIG KNOTS:** Large knots tied in rope itself forming platforms for assistance. Quantity and location must be specified.

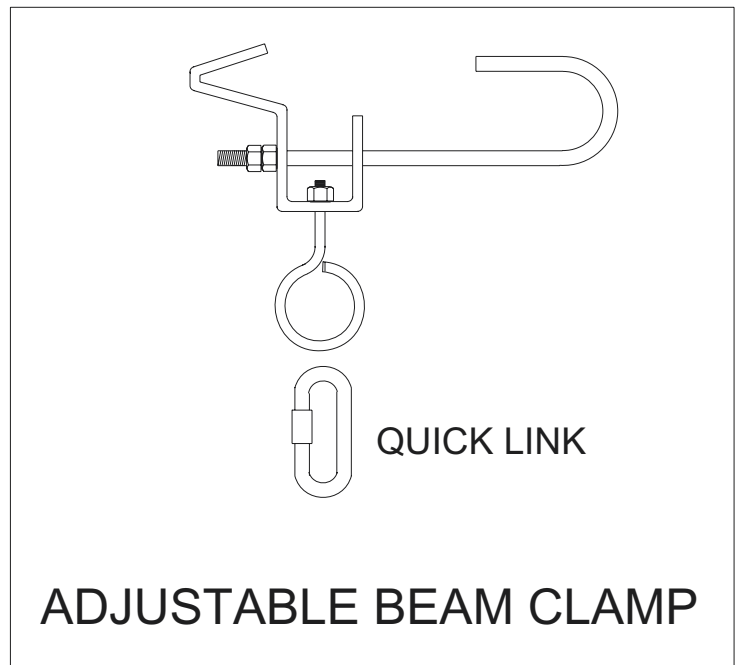
**MODEL RB-1 RUBBER BALLS:** Shall be specified as 2-3/4" diameter hard rubber balls providing assistance in gripping when ascending rope and rest areas descending rope. Quantity and location must be specified.

**MODEL A-3 ADJUSTABLE I-BEAM CLAMP:** Adjustable beam clamp shall be made of 5/8" steel with threaded rod for adjustment and shall be locked into position with a hexagon nut and lock washer. Must be able to fit 3-1/2 to 8" flanges.

# ROPE ENDS



# ROPE OPTIONS



REVISION	DATE	JAYPRO NO.
△		
		CUST. NO.
		DATE
		1-13-98

**CLIMBING ROPES**

THIS PRINT IS THE PROPERTY OF JAYPRO SPORTS INC AND MAY NOT BE REPRODUCED WITHOUT WRITTEN PERMISSION.

"Creating the Standard in Athletic Equipment"

**Jaypro**

976 Hartford Turnpike - Waterford, CT 06385

DRAWING BY	dds
D#	
DRAWING NO.	<b>ROPES</b>